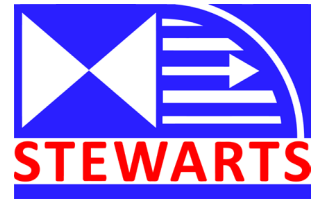


# MODELS- 2066, 2067, 2069



## Thermometer Thermowell's

### Description:

A **Thermowell** is an important component of any temperature measurement point. It is used to separate the process from the surrounding area, thus protecting the environment and operating personnel and keeps aggressive media, high pressures and flow rates from the temperature sensor and thereby enables the thermometer to be exchanged during operation.

There are a large number of variants, such as thermowell designs or materials. The type of process connection and the basic method of manufacture are important design differentiation criteria. A basic differentiation can be made between threaded and weld-in thermowells, and those with flange connections.

### Thermowell material:

Selection of the proper thermowell material for the process is also important to preventing thermowell failure. Thermowell material is usually chosen based upon a consideration of the temperature of the process into which the thermowell is being immersed, the corrosion conditions of that process, the material of construction of the piping, vessel or other structure into which the thermowell is being installed and the possibility of erosive conditions. It is important that you are aware of these factors before selecting a particular Thermowell material.

### Design

The process conditions also have an effect on Thermowell design, particularly for flow induced stress and vibration. Thermowell calculations can be performed using process parameters to determine suitability.

Thermowell's can be manufactured from Solid bar or Fabricated. In a range of materials : 316 St.St, HASTELLOY®, MONEL® etc. in the following length's and thread's.

### Length's

Solid: 50mm to 700mm  
Fabricated: 50mm to 3 metre

### Thread's

½", ¾", 1", NPT, BSPT (other threads available on request)

*N.B. For Flanged Thermowell's of 1" NB (Nominal Bore) and below, check that the Thermowell top diameter fits into customer stand-off bore. (Dependant on Bulb/Stem diameter and customer pipe schedule)*

### Disclaimer

The user is responsible for ensuring that the Thermowell material is compatible with the process fluid(s) including identification of stress corrosion or embrittlement effects.



Model No 2069

## STEWART-BUCHANAN GAUGES LTD

Sales Office & Manufacturing Facility - 7 Garrell Road, Burnside Industrial Estate, Kilsyth, Glasgow G65 9JX, SCOTLAND  
Tel: +44 (0)1236 821533 | Fax: +44 (0)1236 824090 | E-mail: sales@stewarts-group.com | Web: stewarts-group.com

DATA SHEET REF: Thermowell-REV01-17

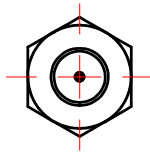
*Specifications and dimensions in this leaflet, are subject to change without prior notice.*

# MODELS- 2066, 2067, 2069

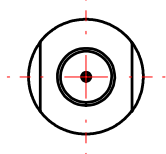
Thermometer Thermowell's



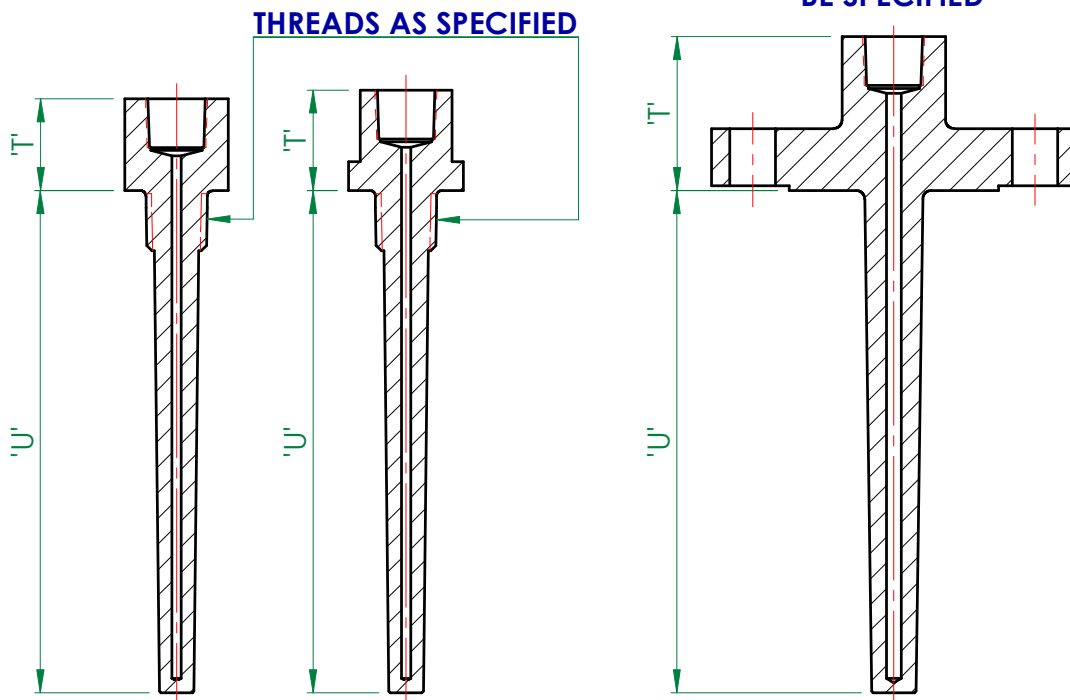
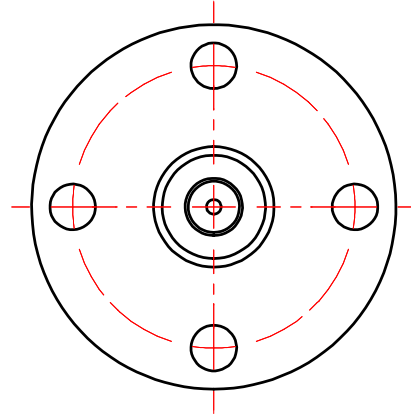
HEXAGONAL  
HEAD  
MODEL - 2066



SPANNER  
FLATS  
MODEL - 2067



FLANGE  
MODEL - 2069



Other variants are available on request.

## STEWART-BUCHANAN GAUGES LTD

Sales Office & Manufacturing Facility - 7 Garrell Road, Burnside Industrial Estate, Kilsyth, Glasgow G65 9JX, SCOTLAND  
Tel: +44 (0)1236 821533 | Fax: +44 (0)1236 824090 | E-mail: sales@stewarts-group.com | Web: stewarts-group.com

DATA SHEET REF: Thermowell-REV01-17

*Specifications and dimensions in this leaflet, are subject to change without prior notice.*

